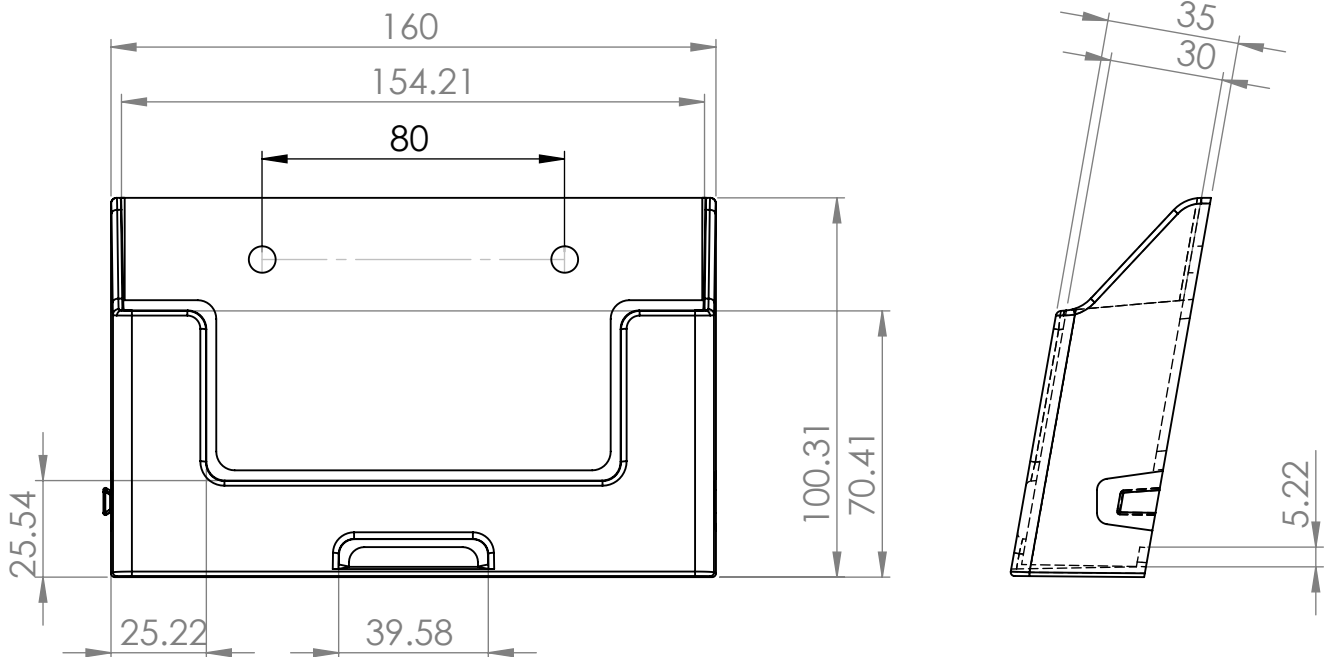
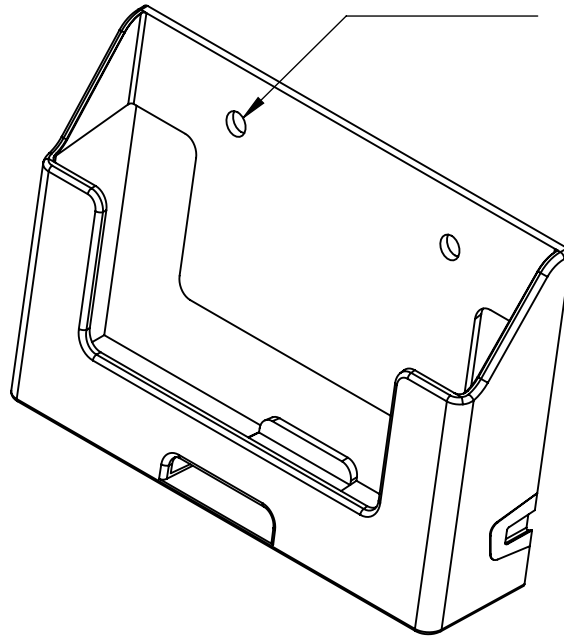


6.8mm Dia



COPYRIGHT © ALPLAS LTD 2017

<p>Alplas Limited Paycocke Road Basildon Essex SS14 3NW T: +44 (0)1702 541000 E: sales@alplas.com F: +44 (0)1702 541100 W: www.alplas.com</p>		<p>ALL DIMENSIONS ARE IN MILLIMETERS</p>		<p>REVISION:</p>		
		<p>CLIENT:</p>		<p>Alplas</p>		
	<p>DATE: 28/03/2017</p>		<p>DRW TITLE:</p>			
	<p>DRAWN BY: JH</p>		<p>A6 Flat Back Leaflet Dispenser</p>			
	<p>MATERIAL: GPPS</p>		<p>DWG No: 9060-A6J</p>		<p>APPROVED BY:</p>	<p>DATE APPROVED:</p>
	<p>WEIGHT: 70g</p>		<p>SCALE: 1:2</p>		<p>A4</p>	
<p>ALP 004 (D) Issue 02 08/12/15</p>		<p>SHEET 1 OF 1</p>				