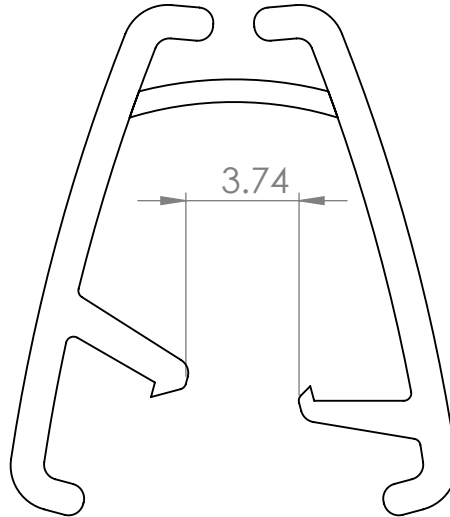
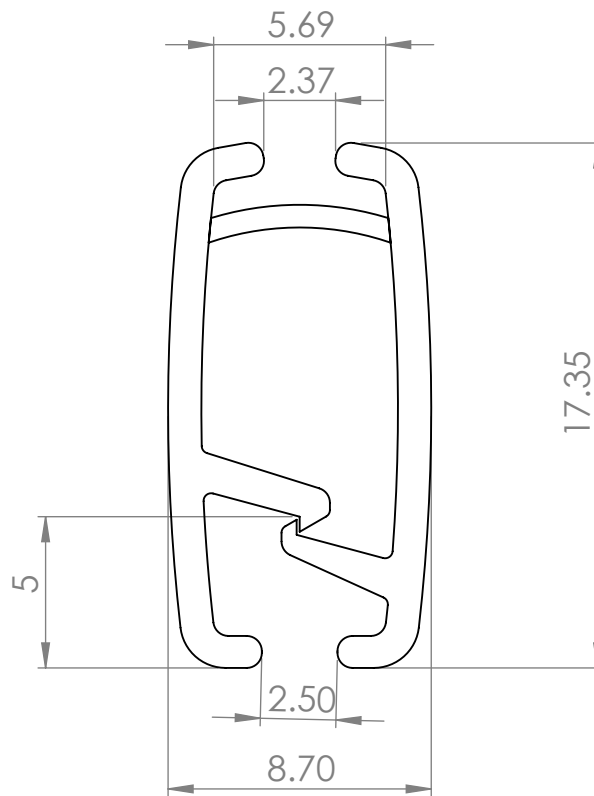


OPEN POSITION



CLOSED SHUT



COPYRIGHT © ALPLAS LTD 2018



Alplas Limited
 Paycocke Road Basildon Essex SS14 3NW
 T: +44 (0)1702 541000 E: sales@alplas.com
 F: +44 (0)1702 541100 W: www.alplas.com

ALL DIMENSIONS ARE IN MILLIMETERS

REVISION:

Alplas Ltd



DATE: **26/10/2018**

PRODUCT TITLE:

Fabric Poster Gripper

DRAWN BY:
JH

MATERIAL:
PVC

CODE:
556

APPROVED BY: DATE APPROVED: **A4**